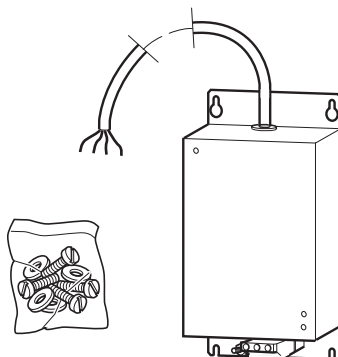




BBV4650701

Altivar

VW3 A4 416...419



VW3 A4 416	ATV12H018F1...H037F1, ATV12H018M2...H075M2, ATV12P037F1, ATV12P037M2...P075M2 ATV11HU05M2●, HU05F1●, HU09F1●, HU09M2●, HU12M2E, HU18M2●
VW3 A4 417	ATV12H075F1, ATV12HU15M2, ATV12HU22M2, ATV12PU15M2, ATV12PU22M2 ATV11HU18F1●, HU29M2●, HU41M2●
VW3 A4 418	ATV12H018M3...H075M3, ATV12P037M3...P075M3 ATV11HU05M3●, HU09M3●, HU18M3●
VW3 A4 419	ATV12HU15M3, ATV12HU22M3, ATV12PU15M3, ATV12PU22M3 ATV11HU29M3●, HU41M3●

DANGER


HAZARD OF ELECTRIC SHOCK, EXPLOSION, OR ARC FLASH

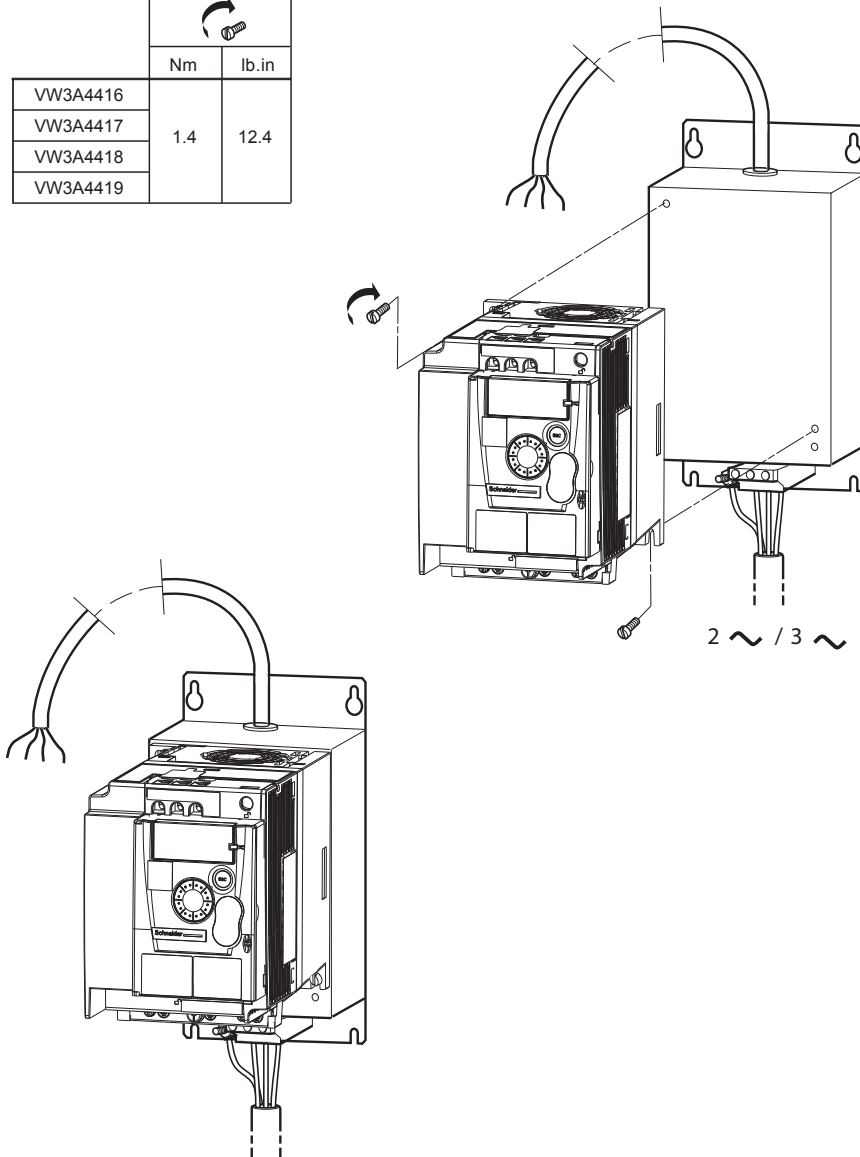
- Read and understand this manual and the manuals of the drive before installing the EMC filter on a drive. Installation must be performed by qualified personnel.
- The user is responsible for compliance with all international and national electrical code requirements with respect to grounding of all equipment.
- Many parts of this drive, including the printed circuit boards, operate at the line voltage. DO NOT TOUCH. Use only electrically insulated tools.
- DO NOT touch unshielded components or terminal strip screw connections with voltage present.
- DO NOT short across terminals PA/+ and PC/- or across the DC bus capacitors.
- Before servicing the drive:
 - Disconnect all power, including external control power that may be present.
 - Place a "DO NOT TURN ON" label on all power disconnects.
 - Lock all power disconnects in the open position.
 - WAIT 15 MINUTES to allow the DC bus capacitors to discharge.
 - Measure the voltage of the DC bus between the PA/+ and PC/- terminals to ensure that the voltage is less than 42 Vdc.
 - If the DC bus capacitors do not discharge completely, contact your local Schneider Electric representative. Do not repair or operate the drive
- Install and close all covers before applying power or starting and stopping the drive.

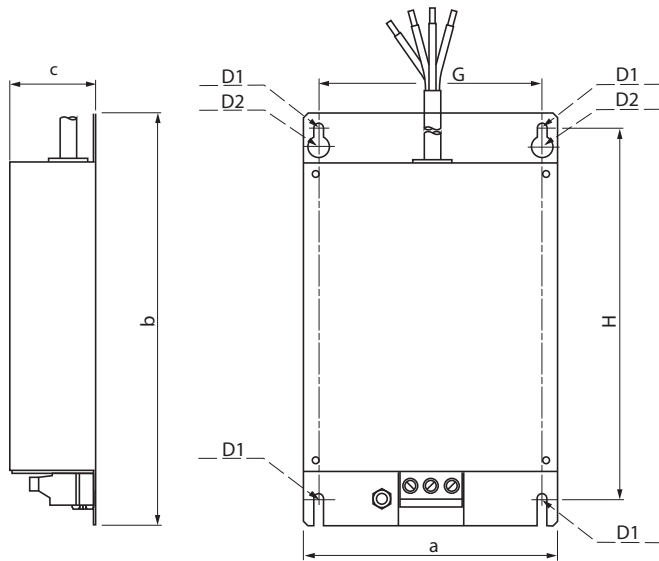
Failure to follow these instructions will result in death or serious injury.

Electrical equipment should be installed, operated, serviced, and maintained only by qualified personnel. No responsibility is assumed by Schneider Electric for any consequences arising out of the use of this product.

© 2010 Schneider Electric All Rights Reserved

		
	Nm	lb.in
VW3A4416	1.4	12.4
VW3A4417		
VW3A4418		
VW3A4419		





	a		b		c		G		H		D1		D2	
	mm	in	mm	in	mm	in	mm	in	mm	in	mm	in	mm	in
VW3 A4 416	75	2.95	194	7.64	30	1.18	61	2.40	180	19.78	4.5	0.18	10	0.39
VW3 A4 417	117	4.61	184	7.24	40	1.57	97	3.82	170	24.84	4.5	0.18	10	0.39
VW3 A4 418	75	2.95	194	7.64	40	1.57	61	2.40	180	24.84	4.5	0.18	10	0.39
VW3 A4 419	117	4.61	190	7.48	40	1.57	97	3.82	170	24.84	4.5	0.18	10	0.39

